

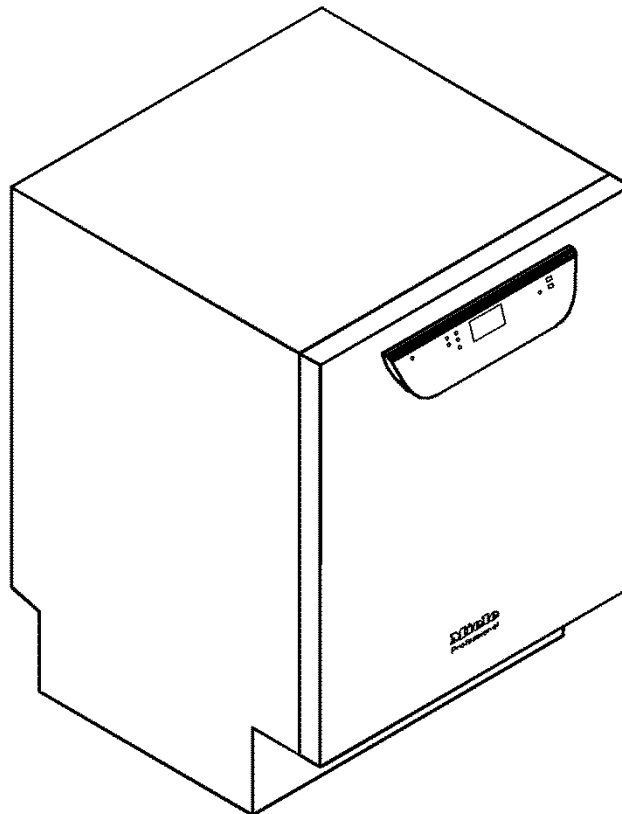
# Installationsplan / Installation plan

Installatietekening  
Plan d'installation  
Pianta di installazione

Plano de instalación  
Plano de instalação  
Σχέδιο εγκατάστασης

Asennusohje  
Installasjonsplan  
Installationsplan

## PG 8055



Materialnummer	/	Mat. no.	9326160
Änderungsstand	/	Version	01
Änderungsnr.	/	Alteration number	A29196
Datum Zeichnung	/	Drawing Date	01.10.2013
Datum Legende	/	Legend Date	01.10.2013
Freigabe	/	Approval	Name: Leifeld
			Name: Götza

# Technical data sheet

**Miele**  
**PROFESSIONAL**

Commercial dishwasher

PG 8055

Legend:








Circled, bold-type abbreviations:  
Connection required



Abbreviations surrounded by broken circle:  
Connection optional or required, depending on model

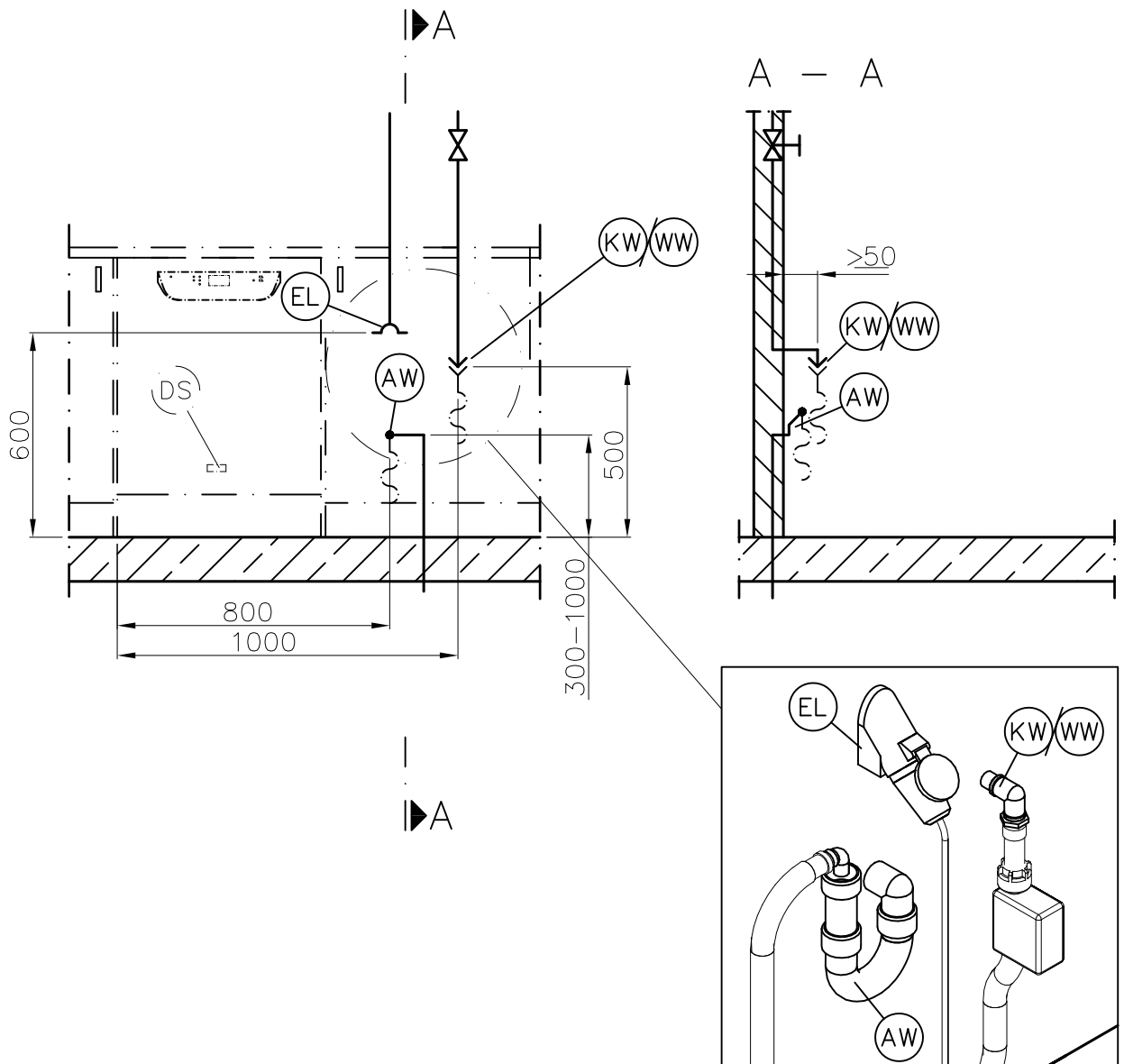
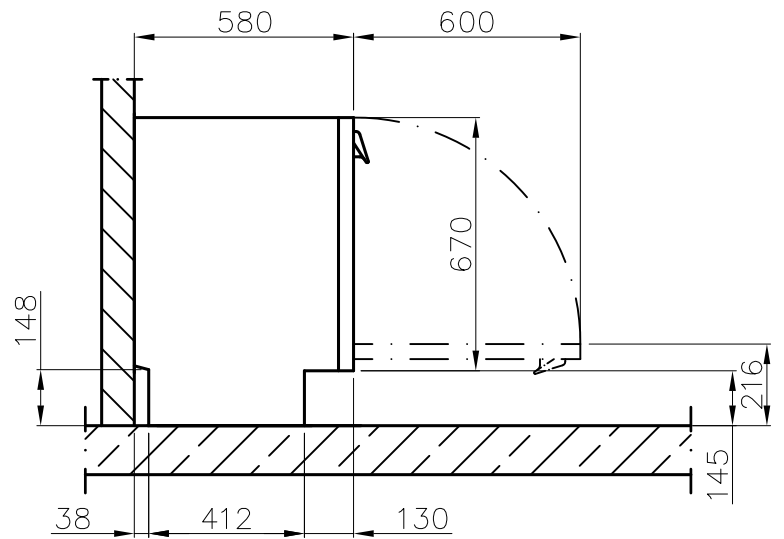
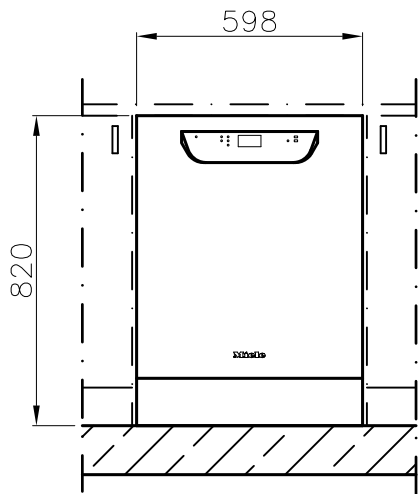
**GB**

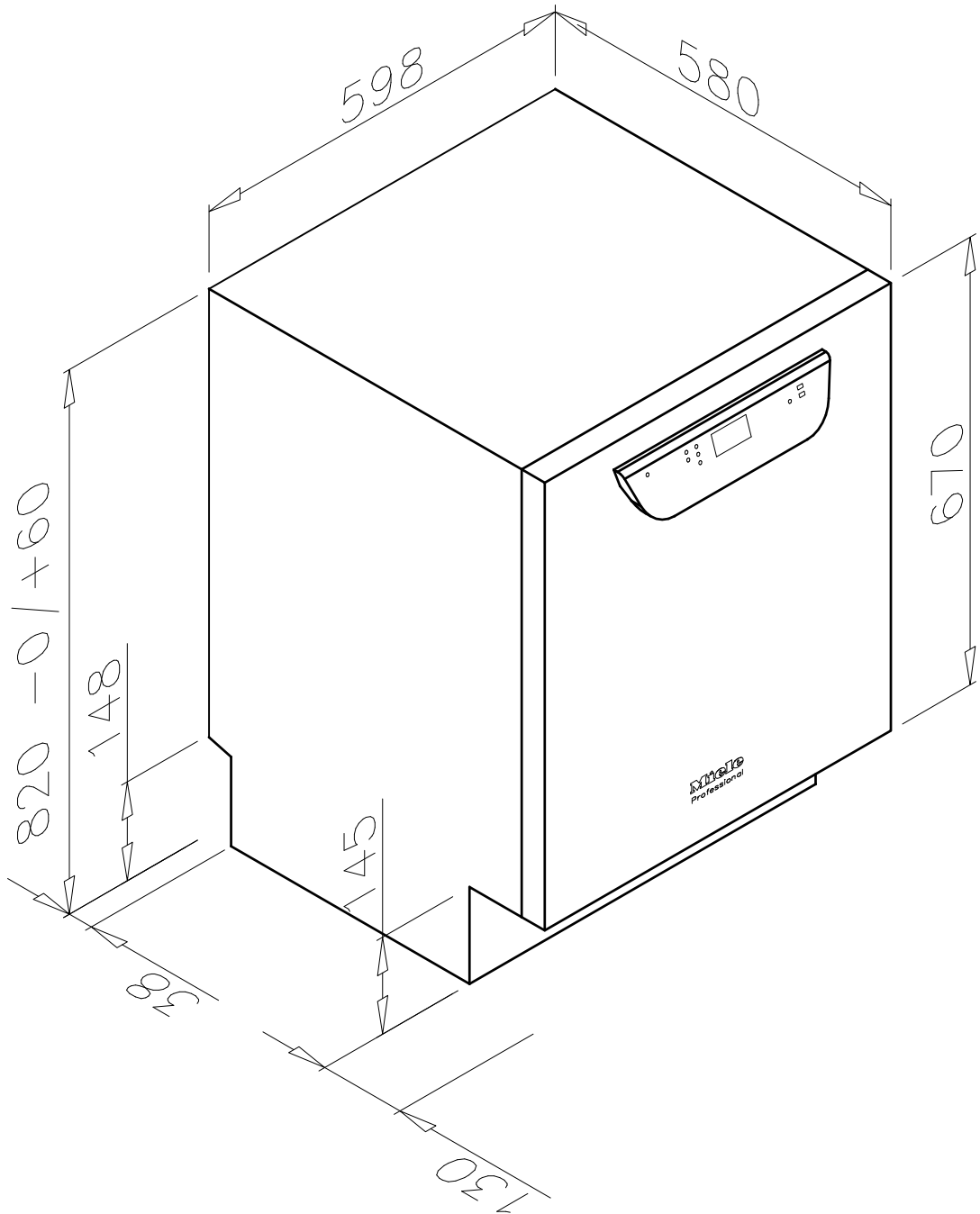
<b>(EL)</b>	Electrical connection	1. Voltage (standard version) Connected load Fuse rating Connection cable, min. gauge Connection cable length (H05(07)RN-F) without plug		V/Hz kW A mm <sup>2</sup> m	3N AC 400/50 8.9 3 × 16 5 × 2.5 Approx. 1.7
		Voltage Connected load Fuse rating Connection cable, min. gauge Length of connection cable (H05(07)RN-F) with plug	Convertible	V/Hz kW A mm <sup>2</sup> m	AC 230/50 2.9 16 3 × 1.5 Approx. 2.1
Variations in the following countries:					
<b>(B)</b>	2. Voltage (standard version) Connected load Fuse rating Connection cable, min. gauge Connection cable length (H05(07)RN-F) without plug			V/Hz kW A mm <sup>2</sup> m	3 AC 230/50 7.1 3 × 20 4 × 2.5 Approx. 1.7
	Voltage Connected load Fuse rating Connection cable, min. gauge Length of connection cable (H05(07)RN-F) with plug	Convertible		V/Hz kW A mm <sup>2</sup> m	AC 230/50 2.9 16 3 × 1.5 Approx. 2.1
<b>(I)</b>	3. Voltage (standard version) Connected load Fuse rating Connection cable, min. gauge Connection cable length (H05(07)RN-F) without plug			V/Hz kW A mm <sup>2</sup> m	3N AC 400/50 7.1 3 × 16 5 × 2.5 Approx. 1.7
	Voltage Connected load Fuse rating Connection cable, min. gauge Length of connection cable (H05(07)RN-F) with plug	Convertible		V/Hz kW A mm <sup>2</sup> m	AC 230/50 2.9 16 3 × 1.5 Approx. 2.1

		<p>4. Voltage (standard version)            Connected load            Fuse rating            Connection cable, min. gauge            Connection cable length (H05(07)RN-F) without plug</p>	Convertible	<p>V/Hz            kW            A            mm<sup>2</sup>            m</p>	<p>3N AC 400/50            8.9            3 x 15-16            5 x 2.5            Approx. 2.1</p>
		<p>Voltage (standard version)            Connected load            Fuse rating            Connection cable, min. gauge            Length of connection cable (H05(07)RN-F) with plug</p>	Convertible	<p>V/Hz            kW            A            mm<sup>2</sup>            m</p>	<p>AC 230/50            5.9            30-32            3 x 4            Approx. 2.1</p>
		<p>Voltage            Connected load            Fuse rating            Connection cable, min. gauge            Length of connection cable (H05(07)RN-F) with plug</p>	Convertible	<p>V/Hz            kW            A            mm<sup>2</sup>            m</p>	<p>AC 230/50            2.9            13-16            3 x 1.5            Approx. 2.1</p>
		<p>It is always recommended to make electrical connection via a plug and socket so that electrical safety checks, e.g. during repair or service work, can be carried out easily. The socket must be accessible after machine installation. A fixed electrical connection is possible via an on-site main switch providing complete isolation from the mains for all poles. The contact gap must be at least 3 mm. In order to increase safety, the installation of an earth leakage circuit breaker is recommended. If necessary, equipotential bonding with good galvanic contact must be guaranteed in compliance with all applicable local and national installation codes.</p> <p>Protection class IP 21</p>			
 	Cold or hot water	<p>Maximum temperature            Max. water hardness            Minimum flow pressure            Minimum flow pressure with extended water intake            Maximum pressure            Flow rate            On-site threaded union in accordance with DIN 44991 (flat sealing)            Length of connection hose (included)</p> <p>A double check valve must be fitted when installed in GB.</p>		<p>°C            °dH            kPa            kPa            kPa            l/min            Inch            m</p>	<p>65            70            200            40            1,000            7.5            3/4" male thread            Approx. 1.7</p>
	Waste water	<p>Drain hoses (int. dia. x wall thickness)            Length of drain hose - Machine            Max. drain hose extension            Max. drain pump head height from base of machine            Max. transient flow rate            On-site hose sleeve for drain hose (outer dia. x length)</p>		<p>mm            m            m            m            l/min            mm</p>	<p>22 x 6            Approx. 1.5            Approx. 4.0            1.0            16            22 x 30</p>
	External dispensing (optional)	<p>Connection of 1 dispenser for liquid detergent on rear of machine</p>			
	Machine feet	<p>Height-adjustable            Machine foot diameter            Machine foot socket</p>		<p>mm            mm            M</p>	<p>-0/+60            35            8</p>

	Heat dissipation rate to installation site	Heat dissipation through heat radiation Load heat dissipation on removal	kWh/h kWh/h	0.35 0.40
	Machine data	Undercounter height Height incl. lid (optional, kit required) Width Depth Door height Door height with door spacer (TAB) Net weight Floor load in operation Min. access width, incl. transport pallet Min. access depth incl. transport pallet Min. access height, incl. transport pallet	mm mm mm mm mm mm kg N mm mm mm	820 835 598 580 670 720 70 1,200 670 740 920
	Installation conditions	Permissible ambient temperature Maximum relative humidity Max. installation above sea level c.f. notes in operating instructions	°C % m	5-40 80 2,000
<p>Installation should only be performed by qualified fitters in accordance with valid regulations, relevant standards and health and safety codes! It is important to comply with installation instructions when installing machines! Only use commercial grade cabinetry in the vicinity of this commercial dishwasher as condensate may otherwise cause damage. All rights reserved! Dimensions in drawings in mm.</p>				

Change no.	Date	Designation:
A20370	04.10.2013	B0 launch
A29196	01.10.2013	SOP revision





**Miele**  
PROFESSIONAL

Installationsplan/Installation plan  
 Gewerbegeschirrspüler  
 PG 8055

Date:	01.10.2013
Page:	2/2
Name:	Gö